

# APPROVE SHEET

Customer: \_\_\_\_\_

Customer Part Number: SB220E~SB260E

PanJit Part Number: SB220E~SB260E

Approver Signature:

APPROVED BY: Clock Huang

DATE: JUN.19.2006

PREPARED BY: Kaori Huang

DATE: JUN.19.2006



**PANJIT INTERNATIONAL INC.**

TEL:886-7-6213121 FAX:886-7-6213129  
NO. 24 , Kang Shan North Rd., Kang Shan Town ,  
Kaohsiung Hsien  
Taiwan , R.O.C.



**TABLE OF CONTENTS**

1.DATA SHEET

PAGE 1

2.MARKING

PAGE 3

3.TAPING

PAGE 4

4.PACKING

PAGE 5

5.HIGH RELIABILITY TESTING SPEC.

PAGE 9



# 1.DATA SHEET

## SB220E~SB260E

### SCHOTTKY BARRIER RECTIFIERS

**VOLTAGE** 20 to 60 Volts **CURRENT** 2.0 Amperes

**DO-15**

Unit: inch(mm)

#### FEATURES

- Plastic package has Underwriters Laboratory Flammability Classification 94V-O utilizing Flame Retardant Epoxy Molding Compound.
- Exceeds environmental standards of MIL-S-19500/228
- For use in low voltage,high frequency inverters ,free wheeling , and polarity protection applications.
- Pb free product are available : 99% Sn above can meet RoHS environment substance directive request
- ESD Passed devices : Air mode 15KV ,human body mode 8KV

#### MECHANICAL DATA

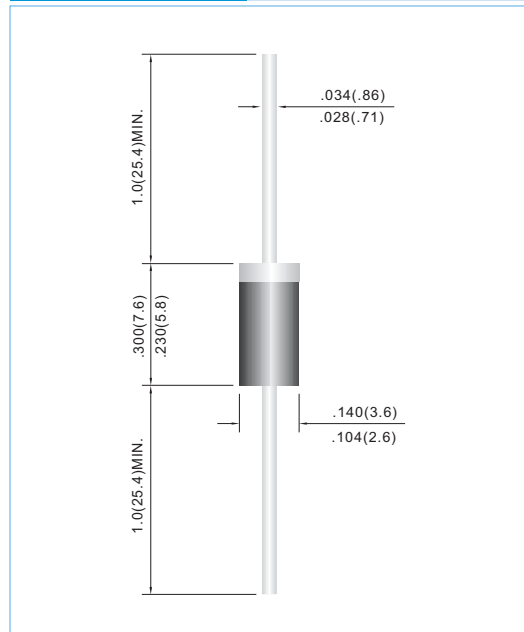
Case: DO-15 Molded plastic

Terminals: Axial leads, solderable per MIL-STD-750D,Method 1036.3

Polarity: Color band denotes cathode

Mounting Position: Any

Weight: 0.015 ounces, 0.4grams



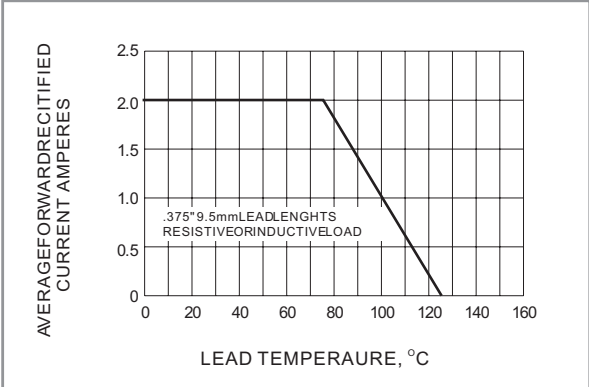
### MAXIMUM RATINGS AND ELECTRICAL CHARACTERISTICS

Ratings at 25°C ambient temperature unless otherwise specified. Single phase, half wave, 60Hz, resistive or inductive load.

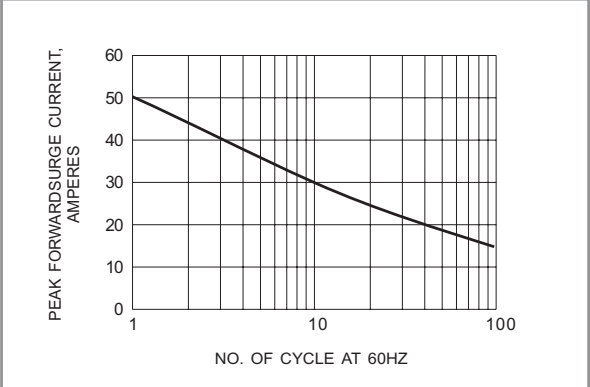
PARAMETER	SYMBOL	SB220E	SB230E	SB240E	SB250E	SB260E	UNITS
Maximum Recurrent Peak Reverse Voltage	$V_{RRM}$	20	30	40	50	60	V
Maximum RMS Voltage	$V_{RMS}$	14	21	28	35	42	V
Maximum DC Blocking Voltage	$V_{DC}$	20	30	40	50	60	V
Maximum Average Forward Rectified Current .375" (9.5mm) lead length at $T_A = 75^\circ C$	$I_{AV}$	2.0					A
Peak Forward Surge Current :8.3ms single half sine-wave superimposed on rated load(JEDEC method)	$I_{FSM}$	50					A
Maximum Forward Voltage at 2.0A	$V_F$	0.50			0.70		V
Maximum DC Reverse Current $T_A=25^\circ C$ at Rated DC Blocking Voltage $T_A=100^\circ C$	$I_R$	0.5 20					mA
Maximum Thermal Resistance	$R_{\theta JA}$	35					$^\circ C / W$
Operating Junction and Storage Temperature Range	$T_J, T_{STG}$	-50 TO +125					$^\circ C$



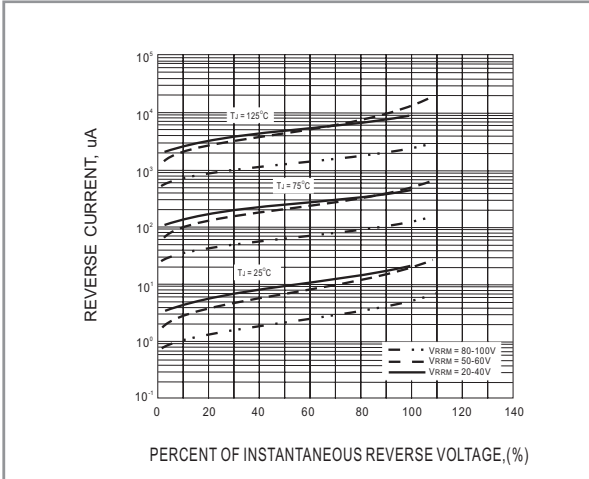
**RATING AND CHARACTERISTIC CURVES**



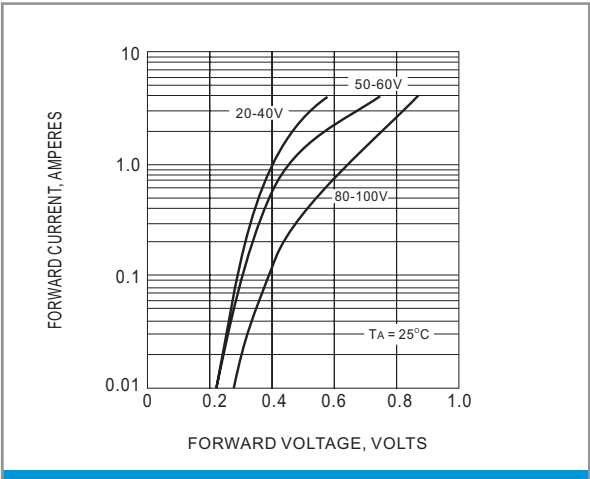
**Fig.1- FORWARD CURRENT DERATING CURVE**



**Fig.2- MAXIMUM NON-REPETITIVE PEAK FORWARD SURGE CURRENT**



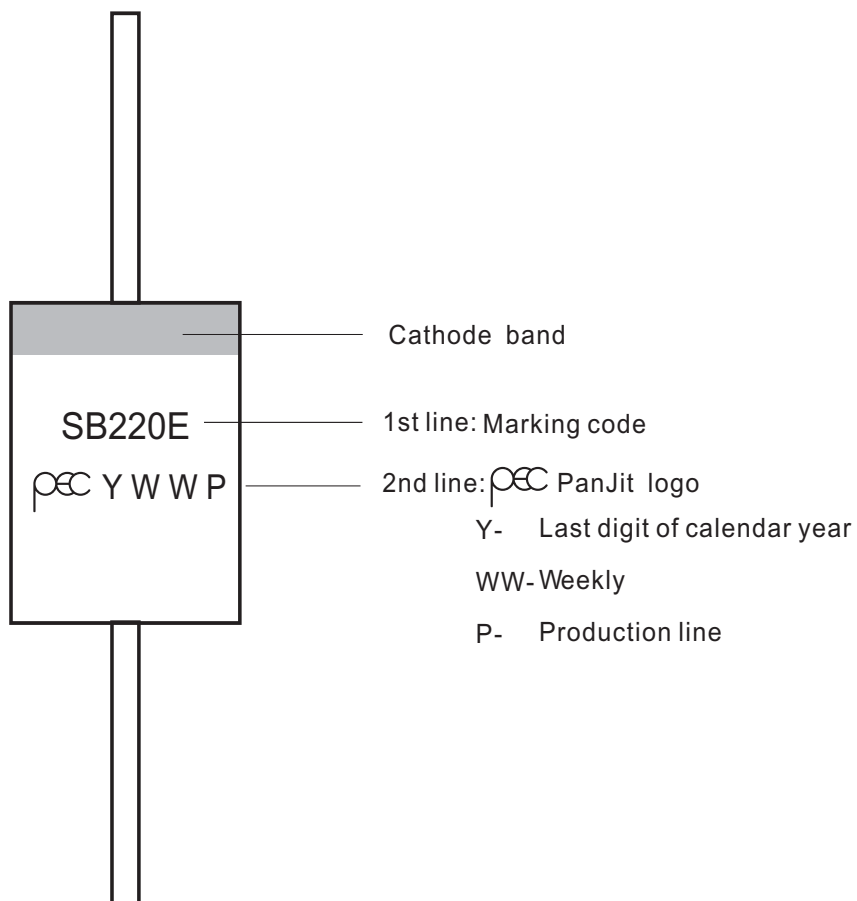
**Fig.3- TYPICAL REVERSE CHARACTERISTIC**



**Fig.4- TYPICAL INSTANTANEOUS FORWARD CHARACTERISTIC**



## 2. MARKING

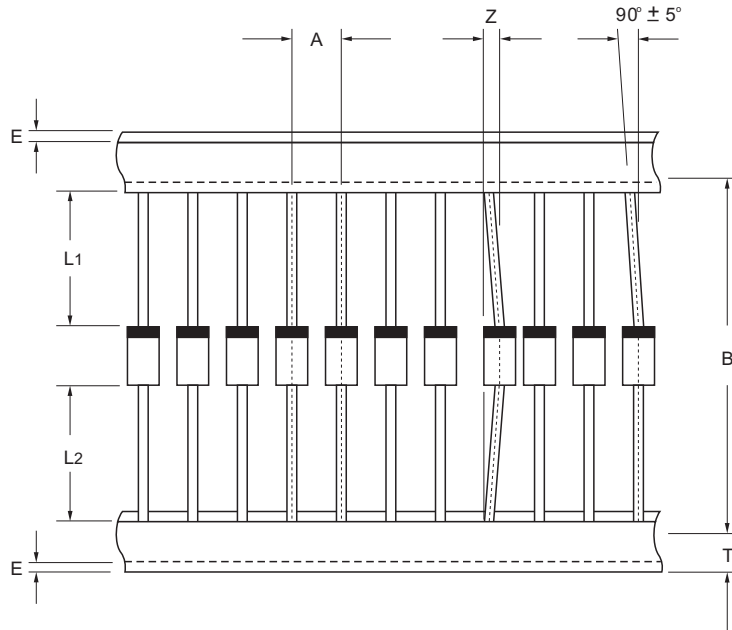




### 3. TAPING

Axial lead devices are packed in accordance with EIA standard RS-296-E and specifications given below.

COMPONENT OUTLINE	COMPONENT PITCH A ± 0.5mm	INTER TAPE PITCH B ± 1.0mm	CUMULATIVE PITCH TOLERANCE
DO-15	5.0mm	52.0mm	1.0mm/20pitch



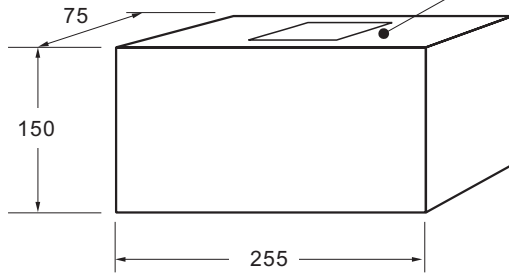
ITEM	SYMBOL	SPECIFICATIONS(mm)	SPECIFICATIONS(inch)
Component alignment	Z	1.2max	0.048max
Tape width	T	6.0±0.4	0.236±0.016
Exposed adhesive	E	0.8max	0.032max
Body eccentricity	L1-L2	1.0max	0.040max

NOTES: Each component lead shall be sandwiched between tapes for a minimum of 3.2mm (0.126")

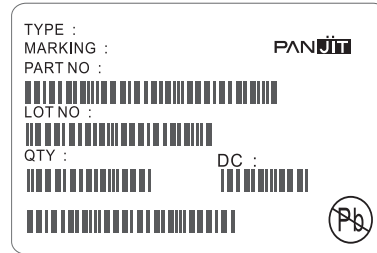


## 4. PACKING

### AMMUNITION PACKING

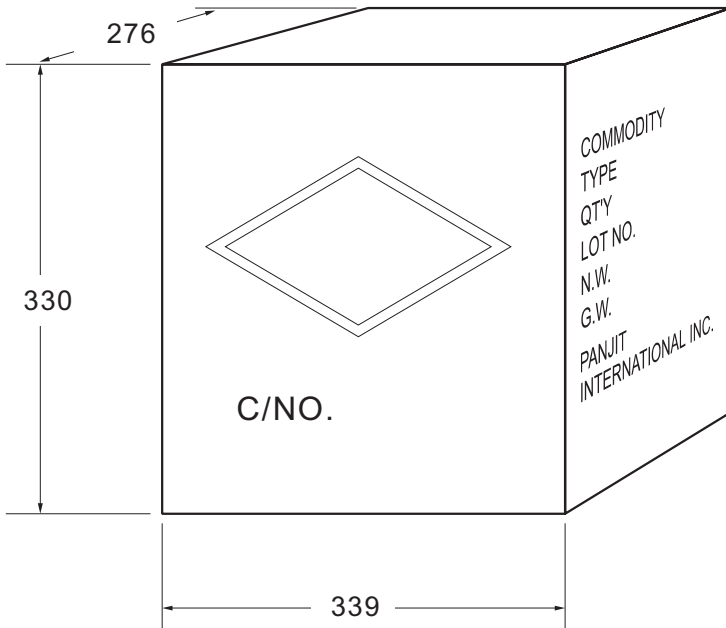


#### LABEL TYPE



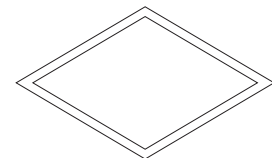
Box Dimensions : mm  
Quantity per Box: 3,000 pcs

### CARTON



Box Dimensions : mm  
Quantity per Box: 24,000 pcs

#### SHIPPING MARK



C/NO.  
PRODUCT COUNTRY

#### SIDE MARK

COMMODITY:  
TYPE:  
Q'TY:  
LOT NO.  
N.W.  
G.W.  
PANJIT  
INTERNATIONAL INC.



# Bulk Packing

PACKAGE	INNER SIZE	BOX	CARTON SIZE	CARTON	APPROX. GROSS WEIGHT
	(m/m)	(EA)	(m/m)	(EA)	(Kg)
<b>Bulk Packing</b>					
A-405	198 x 84 x 20	10,000	459 x 214 x 256	50,000	18.2
AG / RB-20 / WOB	258x190x77	1,000	395x270x400	10,000	17.0
AM	260 x 190 x 80	1,000	400 x 273 x 415	10,000	15
CM / KBPC	193 x 193 x 46	50	405 x 210 x 265	500	18
CMW / KBPC-W	193 x 193 x 46	50	405 x 210 x 265	500	16.5
KBPC-P / CP-15/25/35/50	193 x 193 x 46	50	405 x 210 x 265	500	14.5
KBPC-PW / CPW-15/25/35/50	193 x 193 x 46	50	405 x 210 x 265	500	13
CP-3 / 6	260 x 190 x 80	400	400 x 273 x 415	4,000	8.5
CP-8 / 10	260 x 190 x 80	250	400 x 273 x 415	2,500	14
DIP	-	-	495 x 214 x 256	12,000	8.8
DO-15	200 x 85 x 25	1,000	459 x 214 x 256	40,000	17
DO-201AD	200 x 85 x 40	500	495 x 214 x 256	12,500	15.8
DO-201AE	200 x 85 x 40	500	495 x 214 x 256	12,500	15.8
DO-34	96 x 80 x 42	2,000	410 x 335 x 265	120,000	12
DO-35	96 x 80 x 42	2,000	410 x 335 x 265	120,000	13.8
DO-41	240 x 100 x 90	5,000	410 x 335 x 265	60,000	20
DO-41G	96 x 80 x 42	1,000	410 x 335 x 265	60,000	20
FL	270 x 225 x 50	500	463 x 283 x 185	3,000	18.2
GBJ	352 x 337 x 44	600	375 x 360 x 213	2,400	25.4
GBL	350 x 337 x 44	960	375 x 360 x 213	3,840	13.1
GBP	350 x 337 x 44	1,120	375 x 360 x 213	4,480	10.7
GBPC	195 x 195 x 40	50	460 x 215 x 260	500	14.5
GBPCW	195 x 195 x 40	50	460 x 215 x 260	500	13
GBU	350 x 337 x 44	800	375 x 360 x 213	3,200	17
GL	195 x 195 x 40	80	460 x 215 x 260	800	11
GPJ	500 x 150 x 145	750	572 x 306 x 218	1,500	17
KBJ	219 x 177 x 44	200	367 x 232 x 250	2,000	16.3
KBPM	490 x 150 x 110	1,200	510 x 335 x 240	4,800	19
KBU	270 x 225 x 50	200	463 x 283 x 185	1,200	10
MDI	350 x 337 x 44	6,000	375 x 360 x 390	48,000	14.4
P-600	208 x 90 x 83	500	495 x 214 x 256	5,000	11.9
R-1	198 x 84 x 20	1,000	495 x 214 x 256	50,000	18.2
SDIP	-	-	495 x 214 x 256	24,000	16.8
TO / ITO-220	555 x 145 x 95	2,000	572 x 306 x 218	8,000	19
TO-251AB	560 x 210 x 79	8,400	572 x 306 x 218	33,600	22
TO-247AD	-	-	536 x 243 x 100	1,500	13.2
KBP	258x190x77	1,000	395x270x400	10,000	18.0
KBL	230x147x50	200	460x245x275	3,000	17.25
K3 / K6	210x115x90	200	600x235x198	2,000	7.3/8.8
K8	210x115x90	200	600x235x198	2,000	13.8
K10/K15/K25/K35/K50M	193x193x46	50	405x210x265	500	17.0
K10/K15/K25/K35/K50P	193x193x46	50	405x210x265	500	17.0
K10/K15/K25/K35/K50W	193x193x46	50	405x210x265	500	17.0





# Reel Packing

PACKAGE	REEL	COMPONENT SPACE	TAPE SPACE	REEL DIA	CARTON SIZE	CARTON	APPROX. GROSS WEIGHT
	(pcs)	(m/m)	(m/m)	(m/m)	(m/m)	(EA)	(Kg)
<b>Reel Packing</b>							
A-405	5,000	5	52	330	340 x 340 x 410	25,000	11.3
TO-263	800	16	24	330	375 x360 x 390	6,400	15
DO-15	4,000	5	52	330	340 x 340 x 410	20,000	11
DO-201AD	1,250	10	52	330	340 x 340 x 410	6,250	9.2
DO-201AE	1,250	10	52	330	340 x 340 x 410	6,250	9.2
DO-34	10,000	5	52	360	360 x 360 x 395	50,000	9.5
DO-35	10,000	5	52	360	360 x 360 x 395	50,000	12
DO-41	5,000	5	52	330	360 x 360 x 395	25,000	13
DO-41G	5,000	5	52	360	360 x 360 x 395	25,000	13
TO-252	3,000	8	16	330	375 x 360 x 390	42,000	20.2
MDI	3,000	8	12	330	375 x360 x 390	48,000	14.4
QUADRO-MELF	2,500	4	-	178	385 x 380 x 260	200,000	13.5
MELF/DL-41	5,000	4	-	330	350 x 350 x 300	100,000	14
MICRO-MELF	2,500	4	-	178	385 x 380 x 260	200,000	13.5
MINI-MELF	10,000 / 2,500	4	-	330 / 178	360 x 360 x 395 / 385 x 380 x 260	200,000	14.0 / 13.5
P-600	800	10	52	330	340 x 340 x 410	4,000	11
QFN 1.6 x 1.6	4,000	4	8	178	390 x 240 x 420	200,000	7.8
R-1	5,000	5	52	330	340 x 340 x 410	25,000	6.3
SDIP	1,500	12	16	330	375 x360 x 390	21,000	16.3
SMA	7,500 / 1,800	4	12	330 / 178	375 x360 x 390 / 390 x 240 x 420	120,000 / 72,000	17.5 / 10
SMB	3,000 / 500	8	12	330 / 178	375 x360 x 390 / 390 x 240 x 420	48,000 / 20,000	13.6 / 7.5
SMC	3,000 / 500	12	16	330 / 178	375 x360 x 390 / 390 x 240 x 420	42,000 / 15,000	6.2 / 7.3
SOD-123	10,000 / 3,000	4	8	330 / 178	375 x 360 x 213 / 390 x 270 x 400	120,000 / 240,000	6.4 / 9.4
SOD-123FL	10,000 / 3,000	4	8	330 / 178	375 x 360 x 213 / 390 x 270 x 400	120,000 / 240,000	6.4 / 9.4
SOD-323	12,000 / 5,000	4	8	330 / 178	375 x 360 x 213 / 390 x 270 x 400	144,000 / 400,000	10 / 15.2
SOT-23	12,000 / 3,000	4	8	330 / 178	375 x 360 x 213 / 390 x 270 x 400	144,000 / 240,000	6.4 / 9.4
SOT-323	12,000 / 3,000	4	8	330 / 178	375 x 360 x 213 / 390 x 270 x 400	144,000 / 240,000	6.4 / 9.4
SOT-363	10,000 / 3,000	4	8	330 / 178	735 x 365 x 292 / 390 x 240 x 420	300,000 / 150,000	15.66 / 7.0
SOT-353	10,000 / 3,000	4	8	330 / 178	735 x 365 x 292 / 390 x 240 x 420	300,000 / 150,000	15.66 / 7.0
TO-92	2,000	-	-	335	390 x 390 x 280	8,000	6.067
SOD-523	12,000 / 5,000	4	8	330 / 178	375 x 360 x 213 / 390 x 270 x 400	144,000 / 400,000	10 / 15.2
QFN 2.0 x 2.0	5,000 / 3,000 / 1,000	4	8	330 / 178 / 178	553 x 365 x 358 / 333 x 240 x 257 / 333 x 240 x 257	45,000 / 39,000 / 13,000	4.5 / 3.0 / 2.5
SOT23-6L	3,000 / 2,500 / 1,000	4	8	330 / 178 / 178	553 x 365 x 358 / 333 x 240 x 257 / 333 x 240 x 257	39,000 / 32,500 / 13,000	3.0 / 3.0 / 2.5
SOIC-08	3,000 / 1,500 / 1,000	4	8	330 / 330 / 178	553 x 365 x 358 / 553 x 365 x 358 / 333 x 240 x 257	39,000 / 13,500 / 13,000	6.5 / 5.0 / 3.5



# Ammunition Packing

PACKAGE	AMMO	COMPONENT SPACE	TAPE SPACE	BOX SIZE	CARTON SIZE	CARTON	APPROX. GROSS WEIGHT
	(pcs)	(m/m)	(m/m)	(m/m)	(m/m)	(EA)	(Kg)
<b>Ammunition Packing</b>							
A-405	5,000	5	26	255 x 50 x 150	339 x 276 x 330	60,000	16.0
A-405	5,000	5	52	255 x 75 x 150	339 x 276 x 330	40,000	16.0
DO-15	3,000	5	52	255 x 75 x 150	339 x 276 x 330	24,000	11.9
DO-201AD	1,250	10	52	255 x 75 x 150	339 x 276 x 330	10,000	14.0
DO-201AE	1,250	10	52	255 x 75 x 150	339 x 276 x 330	10,000	14.0
DO-34	5,000	5	26	248 x 80 x 48	410 x 335 x 265	150,000	15.5
DO-34	5,000	5	52	248 x 80 x 75	410 x 335 x 265	100,000	14.1
DO-35	5,000	5	26	248 x 80 x 48	410 x 335 x 265	150,000	20.0
DO-35	5,000	5	52	248 x 80 x 75	410 x 335 x 265	100,000	15.7
DO-41	5,000	5	52	255 x 75 x 150	339 x 276 x 330	40,000	19.1
DO-41G	2,500	5	26	248 x 80 x 48	410 x 335 x 265	75,000	21.5
DO-41G	2,500	5	52	248 x 80 x 75	410 x 335 x 265	50,000	19.0
P-600	400	10	52	255 x 75 x 150	339 x 276 x 330	3,200	9.0
R-1	5,000	5	26	255 x 50 x 150	339 x 276 x 330	40,000	11.0
R-1	5,000	5	52	255 x 75 x 150	339 x 276 x 330	40,000	16.0



## 5. HIGH RELIABILITY TESTING SPEC.

NO	TEST ITEM	TEST CONDITION	REFERENCE DOCUMENT	LOT QUALITY LEVEL	REMARK
1	TEMPERATURE CYCLING (T.C.T)	Ta = -55 + 0, -3 °C 10min Ta = +150 +/- °C 10min FOR 20 CYCLE	MIL-STD-750D METHOD-1051.5	LTPD 10 S.s. = 22 ACCEPT FOR 0 FAILURE ONLY.	
2	HIGH TEMPERATURE STORAGE LIFE (H.T.S.L)	Ta = 150 +/- 5 °C TESTING TIME: 168 HRS 250 HRS 500 HRS	MIL-STD-750D METHOD-1031.2	LTPD10 S.s. = 22 ACCEPT FOR 0 FAILURE ONLY.	
3	SOLDERABILITY TEST	TEMPERATURE OF SOLDER POT = 260 +/- 5 °C TIME FOR DIPPING FLUX = 5-10 SEC TIME FOR DIPPING IN SOLDER = 5 +/- 0.5 SEC DIPPING DEPTH = 0.05 inch max FOR ONE CYCLE	MIL-STD-750D	METHOD-2026.10 LTPD 7 S.s. = 32 ACCEPT FOR 0 FAILURE ONLY.	
4	HIGH TEMPERATURE REVERSE BIAS (H.T.R.B)	Ta = 150 +/- 5 °C VR = 80 % VR (CUSTOM SECP) TESTING TIME: 168 HRS 250 HRS 500 HRS	MIL-STD-750D METHOD-1038.3	LTPD10 S.s. = 22 ACCEPT FOR 0 FAILURE ONLY.	
5	CONTINUE FORWARD OPERATING LIFE (C.F.O.L)	Ta = 55 °C I = IO +/- 10 % TESTING TIME: 168 HRS 250 HRS 500 HRS	MIL-STD-750D METHOD-1027.3	LTPD10 S.s. = 22 ACCEPT FOR 0 FAILURE ONLY.	
6	THERMAL SHOCK (T.S.T)	HOT TANK T = 100 °C + 10 / -2 °C t = 5 min COLD TANK T = 0 °C + 2 / -10 °C t = 5 min 15 CYCLE TIME BETWEEN TRANSFERRING DO'NOT EXCEED 10 SECOND.	MIL-STD-750D METHOD-1056.7	LTPD10 S.s. = 22 ACCEPT FOR 0 FAILURE ONLY.	
7	PRESSURE COOKER (P.C.T)	Ta = 121 °C P = 1.2 kg / cm <sup>2</sup> TIME = 96 HRS	JEDEC JESD22-A102-C	LTPD10 S.s. = 22 ACCEPT FOR 0 FAILURE ONLY.	
8	INTERMITTENT FORWARD OPERATING LIFE (I.F.O.L)	I = Io x 1.0 POWER ON : 30 SEC POWER OFF : 50 SEC TESTING TIME: 2000 CYCLES	MIL-STD-750D METHOD 1036.3	LTPD10 S.s. = 22 ACCEPT FOR 0 FAILURE ONLY.	
9	FORWARD SURGE CURRENT (I.F.S.M)	SQ WAVE OR SINE WAVE IFSM-DATE SHEET SPEC. TIME = 8.3 Msec T = 1 CYCLE	MIL-STD-750D METHOD 4066.3	LTPD10 S.s. = 22 ACCEPT FOR 0 FAILURE ONLY.	
10	HUMIDITY	Ta = 85 °C RH = 85 % TESTING TIME: 168 HRS 250 HRS 500 HRS	MIL-STD-750D METHOD 1021.1	LTPD10 S.s. = 22 ACCEPT FOR 0 FAILURE ONLY.	
11	SOLDERABILITY RESISTANCE	TEMPERATURE OF SOLDER POT = 260 +/- 5 °C TIME FOR DIPPING IN SOLDER = 10 + 2 / -0 SEC DIPPING DEPTH = 1.57 +/- 0.79 mm BELOW BODY FOR ONE CYCLE	MIL-STD-750D METHOD 2031.1	LTPD10 S.s. = 22 ACCEPT FOR 0 FAILURE ONLY.	

\*SCHOTTKY PRODUCT TESTING TEMPERATURE 100 °C MAX (NORMAL)